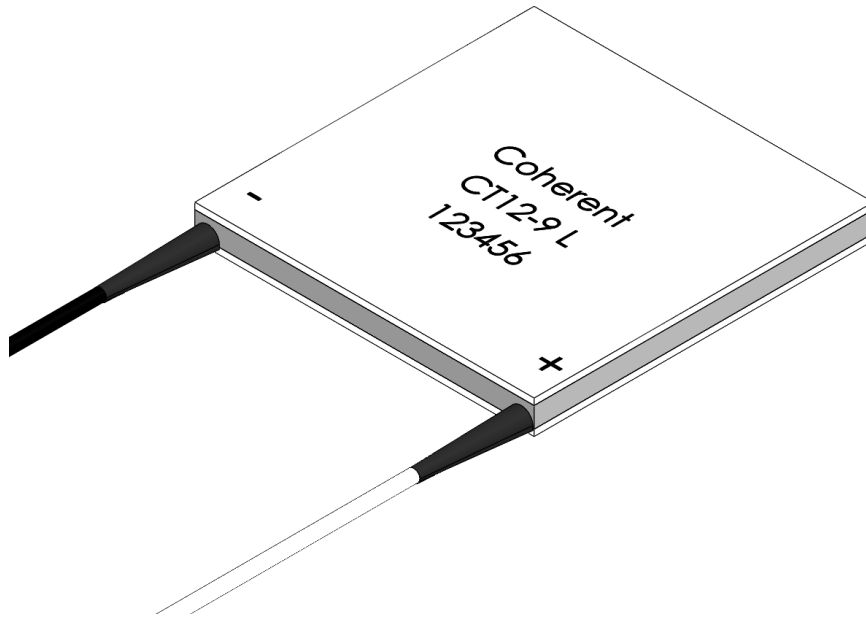


TECHNICAL DATA SHEET FOR CT12-9

Single-Stage Thermoelectric Module



FEATURES

- RoHS EU Compliant
- Rated operating temperature of 130°C
- Ceramic Material: Aluminum Oxide
- Designed for temperature cycling applications
- Capable of rapid heating and cooling rates
- RTV sealing option available
- Lapped for multiple module applications

TECHNICAL DATA SHEET FOR CT12-9

Nominal Performance in Nitrogen

Hot Side Temperature, Isothermal (°C)	27	50
ΔT_{max} (°C)	71	81
Qmax (watts)	82	90
I _{max} (amps)	9.8	9.6
V _{max} (vdc)	16.4	18.1
AC Resistance (ohms)	1.5	--

Ordering Options

Model Number	Description
CT12-9-01L	Leadwires, Lapped
CT12-9-01LS	Leadwires, Lapped, Sealed

Operation Cautions

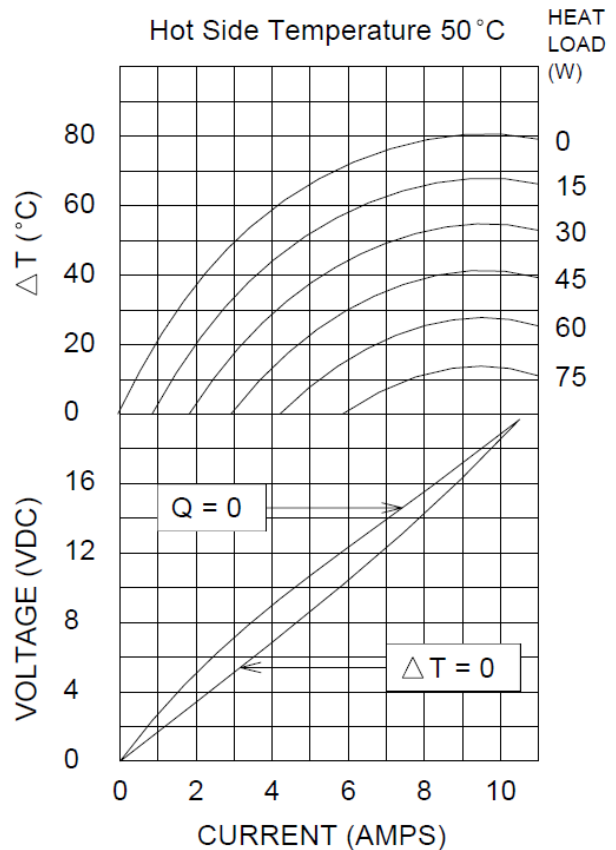
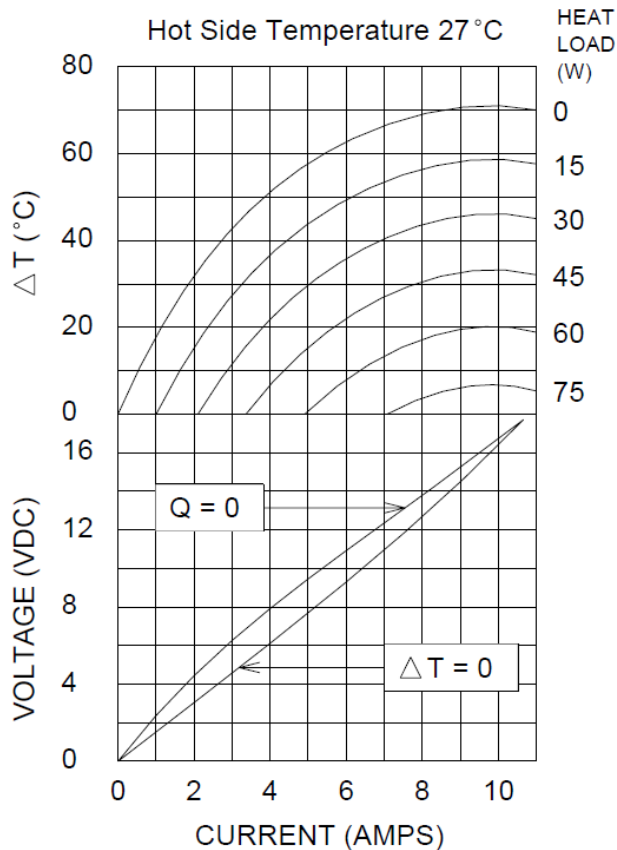
For maximum reliability, storage and operation below 130°C in a non-condensing environment is recommended. To minimize thermal stress, use linear/proportional temperature control or a similar method rather than an ON/OFF method.

Installation

Recommended mounting method: Clamp with uniform pressure to a flat surface with thermal interface material. For additional information, please refer to our TEM Installation Guide.

Typical Performance Curves

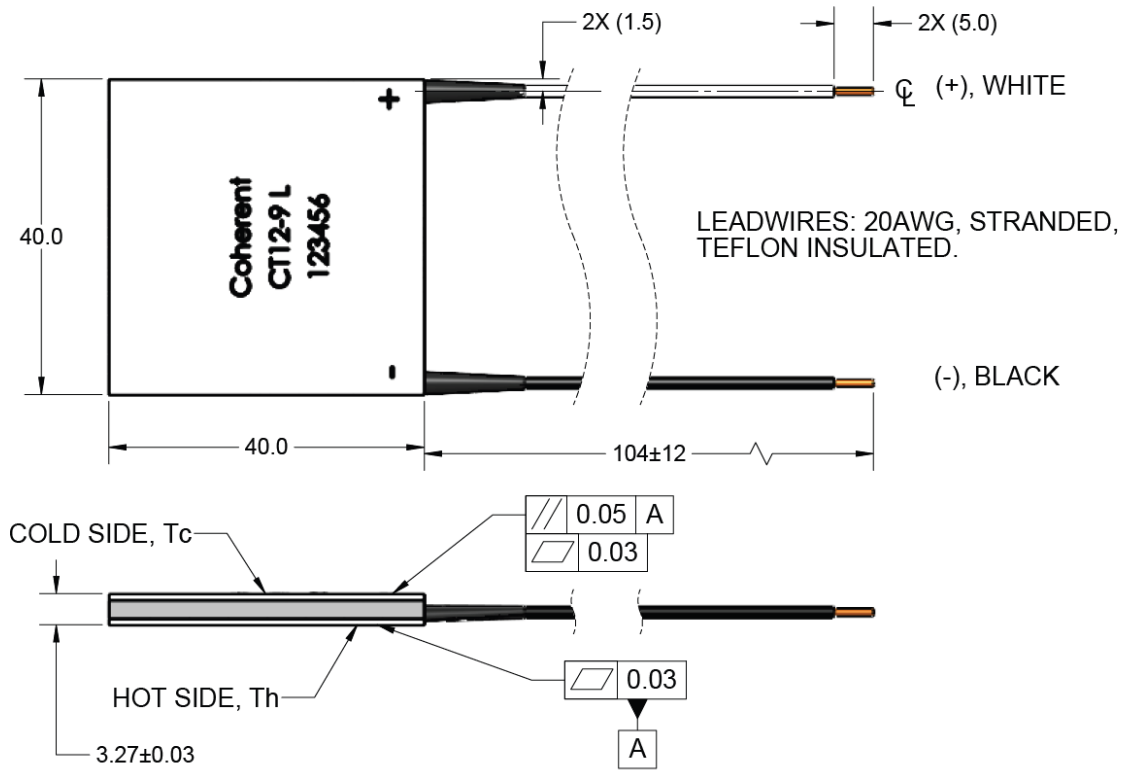
Environment: One Atmosphere Dry Nitrogen



For performance information in a vacuum or with hot side temperatures other than 27°C or 50°C, please contact us.

TECHNICAL DATA SHEET FOR CT12-9

Mechanical Characteristics



All units are in millimeters unless otherwise stated.