

OBIS LX/LS 6-Laser Remote

Laser Remote and Power Supply for up to Six Lasers

The OBIS 6-Laser Remote for OBIS LS and OBIS LX offers power to six lasers in a convenient CDRH-compliant interface.

As with all OBIS LX and OBIS LS lasers, the laser itself offers a stand-alone all-in-one laser solution. The OBIS laser comes with a Power Connection, USB Connection, Fan Connection and a SDR-type Connection for laser control I/O. All of these are located on the back panel of the OBIS LX/LS laser.

To simplify integration the OBIS 6-Laser Remote connects to the 12VDC Power Input on the back of the OBIS Laser. This allows the OBIS 6-Laser Remote to provide power On/Off to the laser.

For applications requiring laser status and control, the USB on the back of each OBIS Laser can be used to communicate with the laser directly.

The OBIS 6-Laser Remote is not recommended for applications that require Analog or Digital Modulation. OBIS 6-Laser Remote comes complete with mounting brackets and hardware to mount the remote to a table or stack remotes.

FEATURES & BENEFITS

- Compact size
- Laser safety features (CDRH) such as key switch and interlock
- Laser On/Off status indicators
- Compact single power supply included
- Brackets for mounting and stacking included

APPLICATIONS

- Laboratories that require CDRH features
- Applications that require a simple remote control to turn the lasers On and Off
- Applications that do not require Analog or Digital modulation



| SPECIFICATIONS ¹ | OBIS LX/LS 6-Laser Remote |
|---|---|
| Laser Power Cables | Six, 1 meter each, color coded |
| Interlock | Yes, included with shorting wire |
| Laser Status Indicators | Yes |
| System and Key Switch Indicator | Yes |
| Warm-up Time (minutes) (from cold start) | <1 |
| Power Consumption (W) Typical Maximum | 1 (laser not included) 2 (laser not included) |
| Power Input | Universal IEC-320 |
| Power Cord (USA) | 2.4 m (8 ft.) |
| Operating Condition ¹ (°C) | 0 to 50°C (32 to 122°F) |
| Non-Operating Condition ¹ (°C) | -10 to +70°C (14 to 158°F) |
| Shock Tolerance (g) (6 ms) | 20 |
| Power Input to Power Supply | 90 to 264 VAC, 47 to 63 Hz |
| Dimensions (L x W x H) OBIS 6-Laser Remote Power Supply (included) | 105 x 68 x 36 mm (4.1 x 2.7 x 1.4 in.) 189 x 89.4 x 47.1 mm (7.4 x 3.5 x 1.9 in.) |
| Weight OBIS 6-Laser Remote Power Supply (included) | 0.23 kg (0.5 lbs.) 0.9 kg (2.0 lbs.) |
| Part Number OBIS 6-Laser Remote with Power Supply Power Supply, 12VDC | 1203909 1211389 |

¹ Non-condensing.

OBIS 6-Laser Remote

Figure 1: Individual labels included for the laser wavelength identification.



Figure 2: FRONT VIEW. The OBIS 6-Laser Remote comes with wavelength tags to identify each laser connected.



| | | |
|-----|-----|-----|
| 320 | 522 | 785 |
| 349 | 532 | 808 |
| 355 | 552 | 830 |
| 360 | 561 | 980 |
| 375 | 588 | |
| 395 | 594 | |
| 405 | 633 | 9 |
| 413 | 635 | 8 |
| 422 | 637 | 7 |
| 445 | 640 | 6 |
| 450 | 647 | 5 |
| 458 | 650 | 4 |
| 473 | 660 | 3 |
| 488 | 685 | 2 |
| 505 | 730 | 1 |
| 514 | 750 | 0 |

OBIS 6-Laser Remote

Figure 3: REAR VIEW. Six color coded power cables included. Interlock included. Laser sold separately.

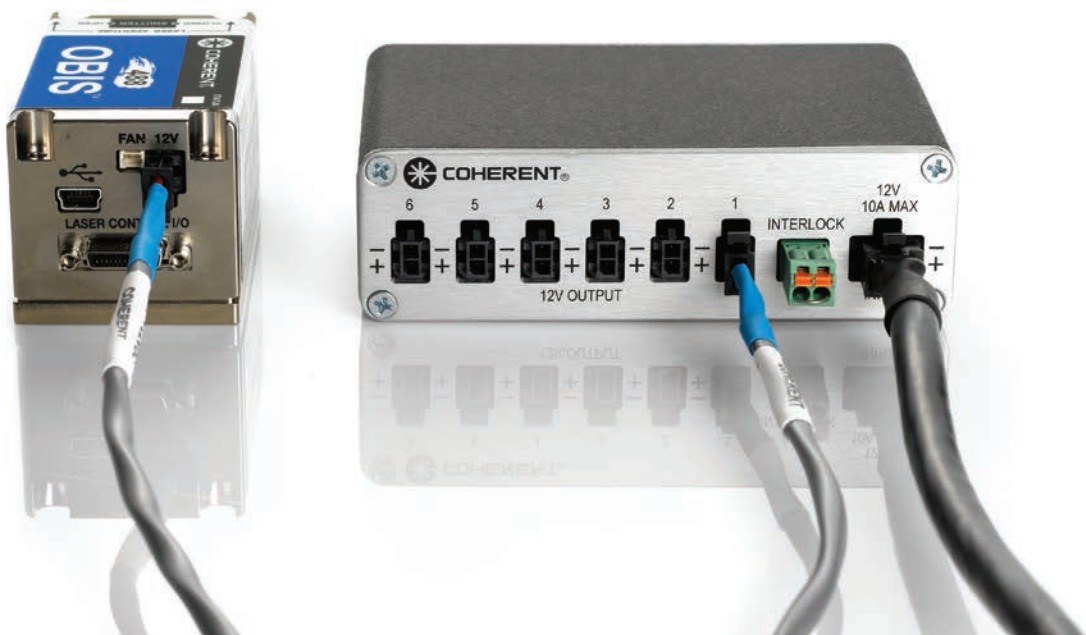


Figure 4: Single power supply included to drive six lasers with remote.



OBIS 6-Laser Remote

Figure 5: Six remote-to-laser power cables (part #1209469) included. Color coded for easy installation and identification. One meter length.

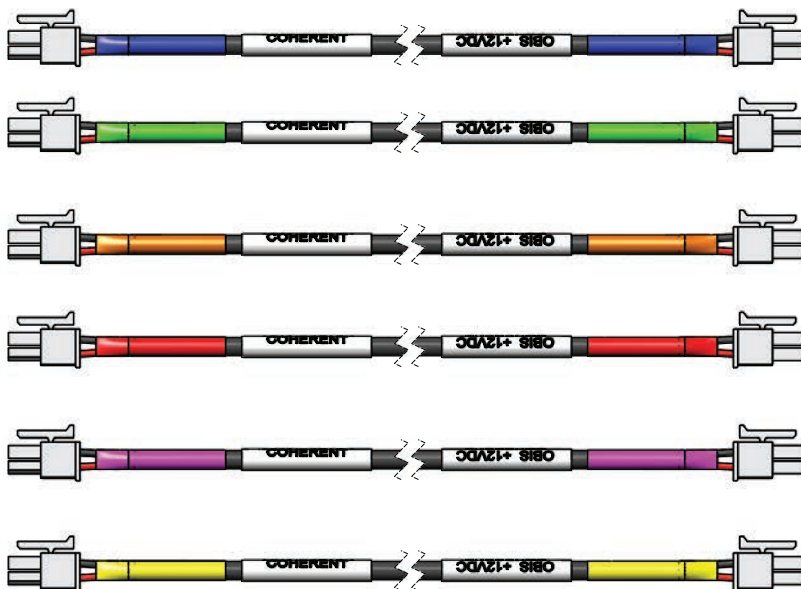
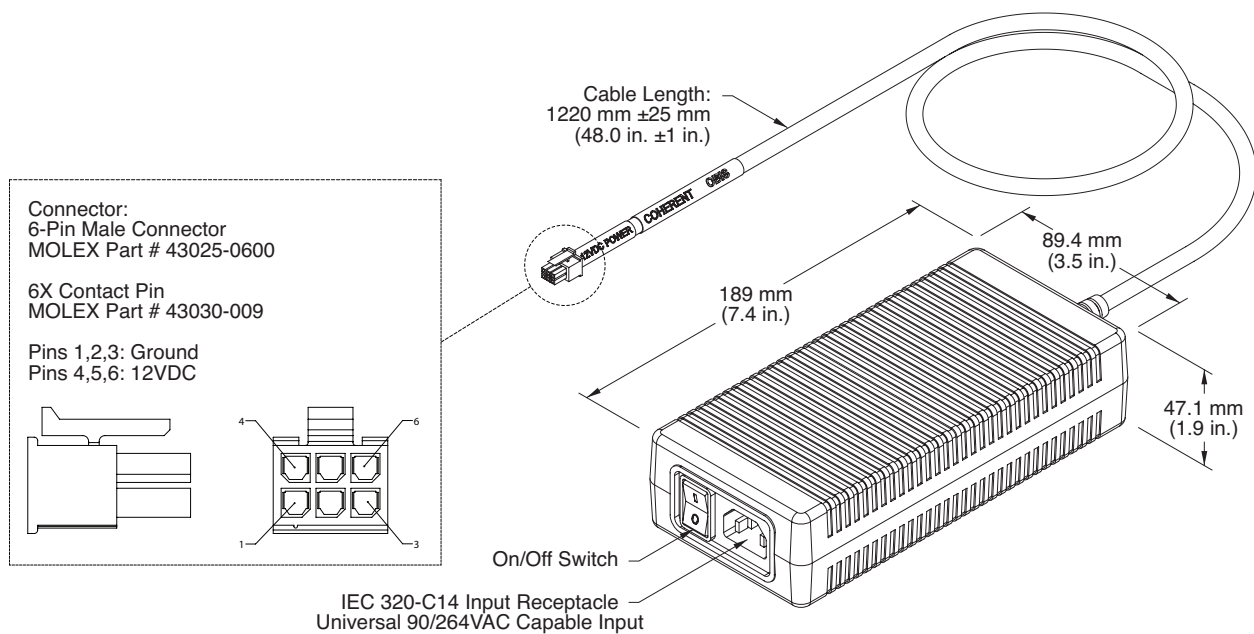
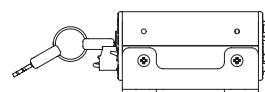
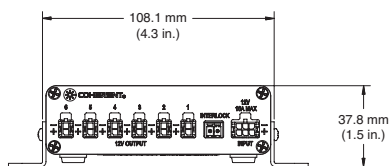
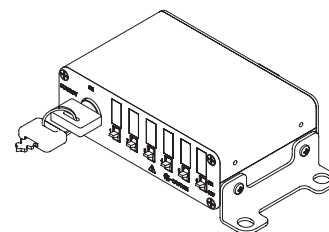
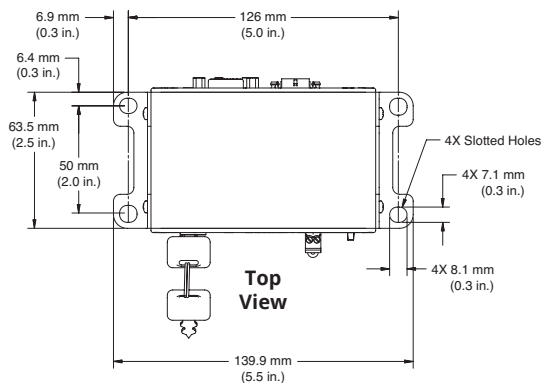


Figure 6: Power Supply (part # 1211389) with IEC-320 universal input. Includes On/Off switch.



OBIS 6-Laser Remote

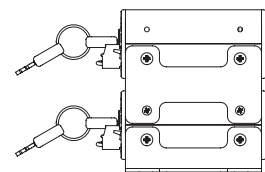
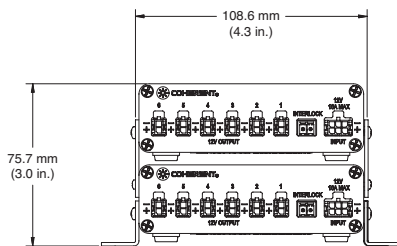
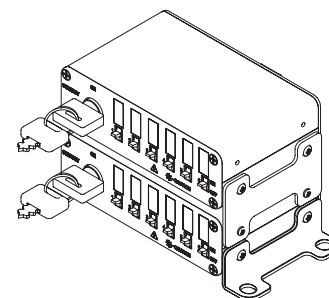
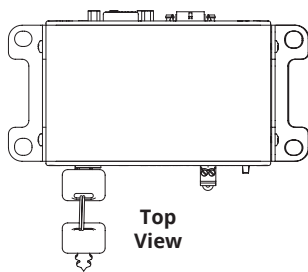
OBIS LX/LS 6-Laser Remote with Mounting Brackets and Stacking Brackets, part # 1203909 (included with OBIS LX/LS 6-Laser Remote)



Top View

Side View

Example of Stacking OBIS LX/LS 6-Laser Remotes (mounting bracket included, second remote sold separately)



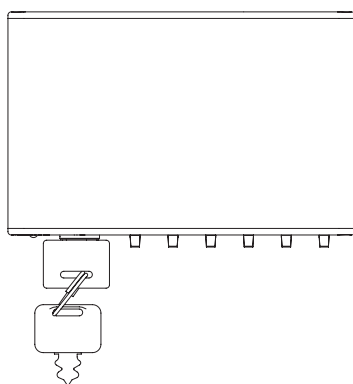
Top View

Side View

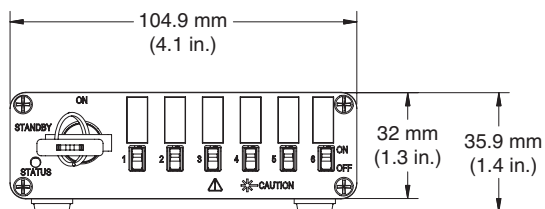
MECHANICAL SPECIFICATIONS

OBIS LX/LS 6-Laser Remote

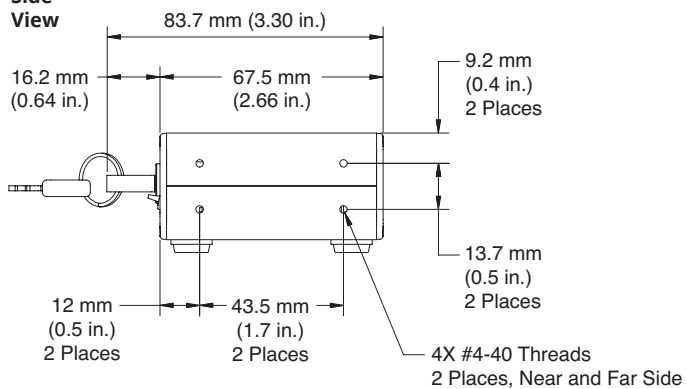
Top View



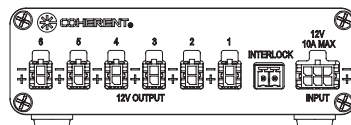
Front View





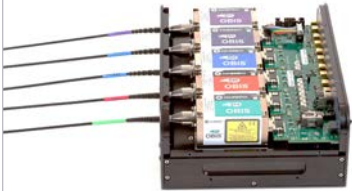


Side View



Rear View



| Optional OBIS Laser Accessories | Description |
|---|--|
|  | <p>OBIS Heat Sink with fan for thermal management, includes hardware to mount to table. Laser can be mounted on top or side for horizontal polarization. Convenient 69 mm (2.7 inch) beam height.</p> <p>Part Number 1193289 OBIS Heat Sink Mount.</p> |
|  | <p>OBIS LX/LS Single Laser Remote with full features for control with Analog and Digital modulation inputs. Includes USB and RS-232 connectors on the back panel of the Remote.</p> <p>Part Number 1214875 OBIS LX/LS Single Laser Remote, with Power Supply, 1 meter laser-to-remote (SDR) cable, USB cable, and Coherent Connection applications software.</p> <p>Part Number 1173961 OBIS LX/LS Single Laser Remote, with Power Supply, USB cable, and Coherent Connection applications software (no SDR Laser-to-Remote cable).</p> |
|  | <p>OBIS LX/LS 6-Laser Remote with CDRH features. Separate power switches and power cables for each laser. NOTE: Does not support modulation inputs.</p> <p>Part Number 1203909 OBIS LX/LS 6-Laser Remote, with Power Supply, 6 power cables from laser-to-remote, and Coherent Connection applications software.</p> <p>Part Number 1306263 OBIS LX/LS 6-Laser Remote, with Power Supply and Coherent Connection applications software (no laser-to-remote power cables).</p> |
|  | <p>OBIS LX/LS Scientific Remote with full features for control with analog/digital inputs for up to six lasers. User interface touch screen and connectivity through USB, RS-232, and Ethernet.</p> <p>Part Number 1234466 OBIS LX/LS Scientific Remote, with internal Power Supply, 6 laser-to-remote (SDR) cables, and Coherent Connection applications software.</p> <p>Part Number 1234465 OBIS LX/LS Scientific Remote, with internal Power Supply, and Coherent Connection applications software (no SDR Laser-to-Remote cables).</p> |
|  | <p>OBIS LX/LS Laser Box with five laser mounting bays with thermal management, cooling fans, analog/digital inputs, RS-232, USB, key-switch, and interlock in one compact package. Lasers sold separately.</p> <p>Part Number 1228877 OBIS LX/LS Laser Box, with Power Supply, USB cable, and Coherent Connection applications software. Analog Modulation Impedance = 2k Ω, Digital Modulation Impedance = 50 Ω.</p> <p>Part Number 1343229 OBIS LX/LS Laser Box, with Power Supply, USB cable, and Coherent Connection applications software. Analog Modulation Impedance = 2k Ω, Digital Modulation Impedance = 2k Ω.</p> |



Coherent, Inc.,
 5100 Patrick Henry Drive Santa Clara, CA 95054
 p. (800) 527-3786 | (408) 764-4983
 f. (408) 764-4646

tech.sales@coherent.com www.coherent.com

Coherent follows a policy of continuous product improvement. Specifications are subject to change without notice. Coherent's scientific and industrial lasers are certified to comply with the Federal Regulations (21 CFR Subchapter J) as administered by the Center for Devices and Radiological Health on all systems ordered for shipment after August 2, 1976.

Coherent offers a limited warranty for all OBIS LX/LS Single Laser Remotes. For full details of this warranty coverage, please refer to the Service section at www.coherent.com or contact your local Sales or Service Representative. MC-025-14-0M0920Rev.C Copyright ©2020 Coherent, Inc.