

GeoLasGC

Superior Solid Sampling at 193 nm

Young Zircons, Fluid Inclusions and More

GeoLasGC is the next generation laser ablation system for all-encompassing LA-ICP-MS elemental and isotopic analysis. Powered by the mighty COMPex laser, it uniquely combines sturdy high-resolution optical design, expert polarizer microscope, the latest HD camera technology, and a state-of-the-art new sample cell. The intuitive EAGLE control software features real-time HD monitoring of micronsize features and seamless sample mapping with optional external image overlay.



FEATURES

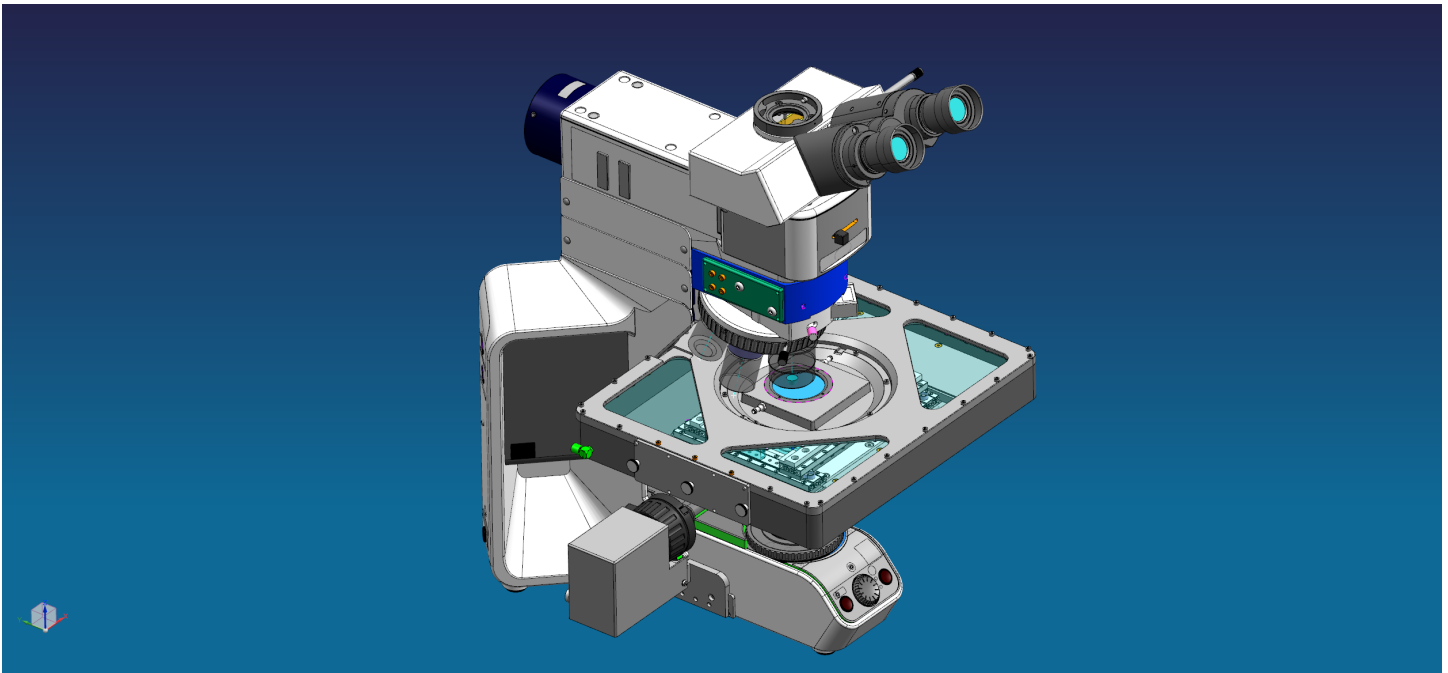
- Homogenizer optics and Schwarzschild ablation objective
- HD camera and EAGLE software package
- Integrated petrographic microscope
- GeoCell all-in-one dual-volume sample cell with fast washout time
- Sub-micron precision piezo-electric x-y sample stage
- Bidirectional control of any type of mass spectrometer

APPLICATIONS

- Isotope Ratio Determination
- Fluid Inclusion Research
- U/Pb-Age Dating in Zircons
- Marine Sediment Analysis
- 193 nm Multicollector ICP-MS
- Gemstone Fingerprinting

Specifications	GeoLasGC
Operating Wavelength (nm)	193
Spot Sizes (μm)	2 to 160
Optical Resolution (μm)	1
Beam Homogeneity (%) (1 sigma)	1.75
Maximum Fluence (J/cm^2)	55
Pulse Stability (% rms)	1
Repetition Rate (Hz)	1 to 20 (option: 1 to 100)
X, Y-Drive Min. Step Size (μm)	0.1
Z-Focus Min. Step Size (μm)	0.1
Dimensions (L x W x H)	2470 x 1142 x 1440 mm (97.24 x 44.96 x 56.69 in.)
Weight	395 kg (870.83 lbs.)
Mains Supply	110/230 VAC, 1 PN, 25/16A

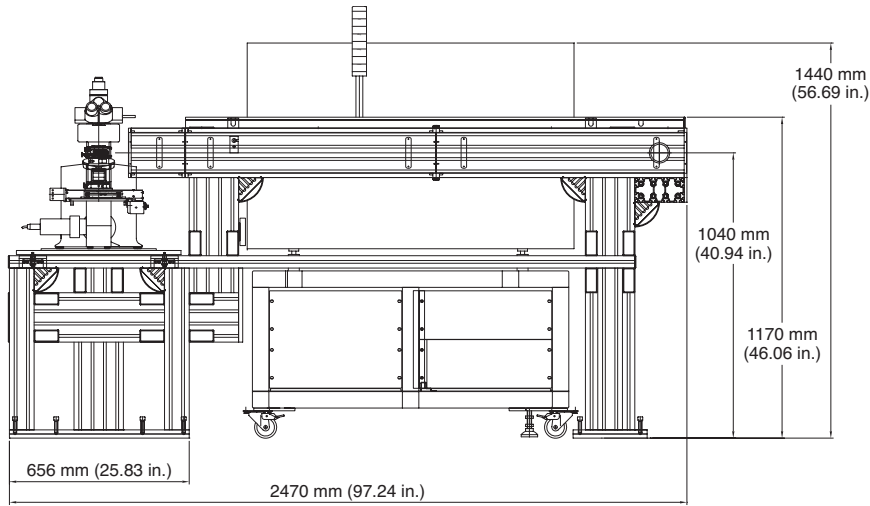
GeoCell sample chamber integrated in petrographic microscope



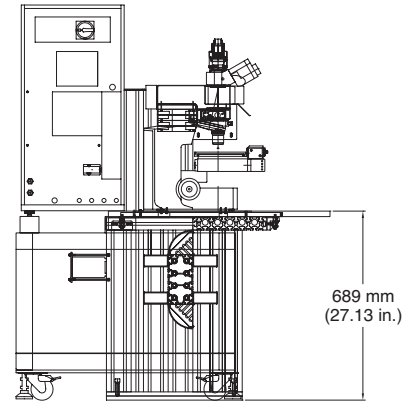
Mechanical Specifications

GeoLasGC

Front View



Side View



Top View

